

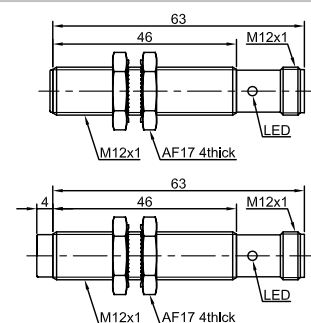
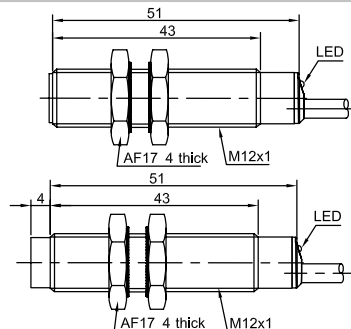
| Item Code        | LR12X     |               | LR12X     |               |
|------------------|-----------|---------------|-----------|---------------|
| Mounting         | ● Flushed | ◐ Non-flushed | ● Flushed | ◐ Non-flushed |
| Sensing distance | 2mm       | 4mm           | 2mm       | 4mm           |



|        |        |               |               |                  |                  |
|--------|--------|---------------|---------------|------------------|------------------|
| Output | NPN NO | LR12XBF02DNOA | LR12XBN04DNOA | LR12XBF02DNOA-E2 | LR12XBN04DNOA-E2 |
|        | NPN NC | LR12XBF02DNCA | LR12XBN04DNCA | LR12XBF02DNCA-E2 | LR12XBN04DNCA-E2 |
| Output | PNP NO | LR12XBF02DPOA | LR12XBN04DPOA | LR12XBF02DPOA-E2 | LR12XBN04DPOA-E2 |
|        | PNP NC | LR12XBF02DPCA | LR12XBN04DPCA | LR12XBF02DPCA-E2 | LR12XBN04DPCA-E2 |

| Technical Parameter      |                    |                    |                    |                    |
|--------------------------|--------------------|--------------------|--------------------|--------------------|
| Supply voltage           | 10...30 VDC        | 10...30 VDC        | 10...30 VDC        | 10...30 VDC        |
| Switch point drift       | <±10% Sr           | <±10% Sr           | <±10% Sr           | <±10% Sr           |
| Load current             | <200mA             | <200mA             | <200mA             | <200mA             |
| Voltage drop             | <2.5V              | <2.5V              | <2.5V              | <2.5V              |
| Consumption current      | <15mA              | <15mA              | <15mA              | <15mA              |
| Hysteresis               | 1...20%            | 1...20%            | 1...20%            | 1...20%            |
| Repeat accuracy          | <3%                | <3%                | <3%                | <3%                |
| Frequency                | 3000Hz             | 2000Hz             | 3000Hz             | 2000Hz             |
| Output indicator         | Yellow LED         | Yellow LED         | Yellow LED         | Yellow LED         |
| Polarity protection      | yes                | yes                | yes                | yes                |
| Surge protection         | yes                | yes                | yes                | yes                |
| Short-circuit protection | yes                | yes                | yes                | yes                |
| Ambient temperature      | -25...+70°C        | -25...+70°C        | -25...+70°C        | -25...+70°C        |
| Ambient moisture         | 35...95%           | 35...95%           | 35...95%           | 35...95%           |
| Protection degree        | IP67               | IP67               | IP67               | IP67               |
| Housing material         | Brass+PTFE Coating | Brass+PTFE Coating | Brass+PTFE Coating | Brass+PTFE Coating |
| Connection               | 2m PVC Cable       | 2m PVC Cable       | M12 Connector      | M12 Connector      |
| Certification            | CE U <sub>L</sub>  | CE U <sub>L</sub>  | CE U <sub>L</sub>  | CE U <sub>L</sub>  |

\* Cable material and length can be customized



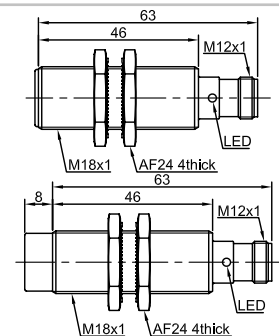
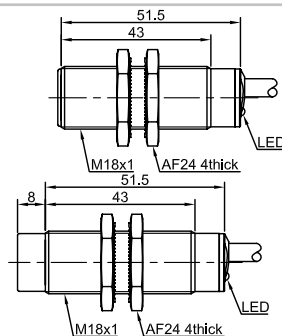
| Item Code        | LR18X     |               | LR18X     |               |
|------------------|-----------|---------------|-----------|---------------|
| Mounting         | ● Flushed | ◐ Non-flushed | ● Flushed | ◐ Non-flushed |
| Sensing distance | 5mm       | 8mm           | 5mm       | 8mm           |



|        |        |               |               |                  |                  |
|--------|--------|---------------|---------------|------------------|------------------|
| Output | NPN NO | LR18XBF05DNOA | LR18XBN08DNOA | LR18XBF05DNOA-E2 | LR18XBN08DNOA-E2 |
|        | NPN NC | LR18XBF05DNCA | LR18XBN08DNCA | LR18XBF05DNCA-E2 | LR18XBN08DNCA-E2 |
| Output | PNP NO | LR18XBF05DPOA | LR18XBN08DPOA | LR18XBF05DPOA-E2 | LR18XBN08DPOA-E2 |
|        | PNP NC | LR18XBF05DPCA | LR18XBN08DPCA | LR18XBF05DPCA-E2 | LR18XBN08DPCA-E2 |

| Technical Parameter      |                    |                    |                    |                    |
|--------------------------|--------------------|--------------------|--------------------|--------------------|
| Supply voltage           | 10...30 VDC        | 10...30 VDC        | 10...30 VDC        | 10...30 VDC        |
| Switch point drift       | <±10% Sr           | <±10% Sr           | <±10% Sr           | <±10% Sr           |
| Load current             | <200mA             | <200mA             | <200mA             | <200mA             |
| Voltage drop             | <2.5V              | <2.5V              | <2.5V              | <2.5V              |
| Consumption current      | <15mA              | <15mA              | <15mA              | <15mA              |
| Hysteresis               | 1...20%            | 1...20%            | 1...20%            | 1...20%            |
| Repeat accuracy          | <3%                | <3%                | <3%                | <3%                |
| Frequency                | 1500Hz             | 1000Hz             | 1500Hz             | 1000Hz             |
| Output indicator         | Yellow LED         | Yellow LED         | Yellow LED         | Yellow LED         |
| Polarity protection      | yes                | yes                | yes                | yes                |
| Surge protection         | yes                | yes                | yes                | yes                |
| Short-circuit protection | yes                | yes                | yes                | yes                |
| Ambient temperature      | -25...+70°C        | -25...+70°C        | -25...+70°C        | -25...+70°C        |
| Ambient moisture         | 35...95%           | 35...95%           | 35...95%           | 35...95%           |
| Protection degree        | IP67               | IP67               | IP67               | IP67               |
| Housing material         | Brass+PTFE Coating | Brass+PTFE Coating | Brass+PTFE Coating | Brass+PTFE Coating |
| Connection               | 2m PVC Cable       | 2m PVC Cable       | M12 Connector      | M12 Connector      |
| Certification            | CE U <sub>L</sub>  | CE U <sub>L</sub>  | CE U <sub>L</sub>  | CE U <sub>L</sub>  |

\* Cable material and length can be customized



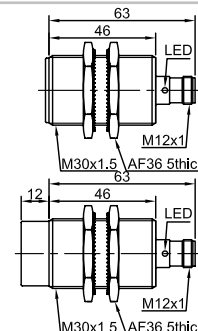
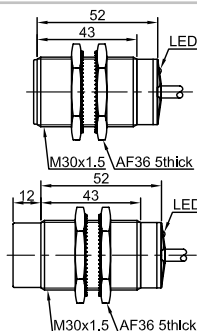
| Item Code        | LR30X     |               | LR30X     |               |
|------------------|-----------|---------------|-----------|---------------|
| Mounting         | ● Flushed | ◐ Non-flushed | ● Flushed | ◐ Non-flushed |
| Sensing distance | 10mm      | 15mm          | 10mm      | 15mm          |



|        |        |               |               |                  |                  |
|--------|--------|---------------|---------------|------------------|------------------|
| Output | NPN NO | LR30XBF10DNOA | LR30XBN15DNOA | LR30XBF10DNOA-E2 | LR30XBN15DNOA-E2 |
|        | NPN NC | LR30XBF10DNCA | LR30XBN15DNCA | LR30XBF10DNCA-E2 | LR30XBN15DNCA-E2 |
| Output | PNP NO | LR30XBF10DPOA | LR30XBN15DPOA | LR30XBF10DPOA-E2 | LR30XBN15DPOA-E2 |
|        | PNP NC | LR30XBF10DPCA | LR30XBN15DPCA | LR30XBF10DPCA-E2 | LR30XBN15DPCA-E2 |

| Technical Parameter      |                    |                    |                    |                    |
|--------------------------|--------------------|--------------------|--------------------|--------------------|
| Supply voltage           | 10...30 VDC        | 10...30 VDC        | 10...30 VDC        | 10...30 VDC        |
| Switch point drift       | < ±10% Sr          | < ±10% Sr          | < ±10% Sr          | < ±10% Sr          |
| Load current             | <200mA             | <200mA             | <200mA             | <200mA             |
| Voltage drop             | <2.5V              | <2.5V              | <2.5V              | <2.5V              |
| Consumption current      | <15mA              | <15mA              | <15mA              | <15mA              |
| Hysteresis               | 1...20%            | 1...20%            | 1...20%            | 1...20%            |
| Repeat accuracy          | <3%                | <3%                | <3%                | <3%                |
| Frequency                | 800Hz              | 500Hz              | 800Hz              | 500Hz              |
| Output indicator         | Yellow LED         | Yellow LED         | Yellow LED         | Yellow LED         |
| Polarity protection      | yes                | yes                | yes                | yes                |
| Surge protection         | yes                | yes                | yes                | yes                |
| Short-circuit protection | yes                | yes                | yes                | yes                |
| Ambient temperature      | -25...+70°C        | -25...+70°C        | -25...+70°C        | -25...+70°C        |
| Ambient moisture         | 35...95%           | 35...95%           | 35...95%           | 35...95%           |
| Protection degree        | IP67               | IP67               | IP67               | IP67               |
| Housing material         | Brass+PTFE Coating | Brass+PTFE Coating | Brass+PTFE Coating | Brass+PTFE Coating |
| Connection               | 2m PVC Cable       | 2m PVC Cable       | M12 Connector      | M12 Connector      |
| Certification            | CE U <sub>L</sub>  | CE U <sub>L</sub>  | CE U <sub>L</sub>  | CE U <sub>L</sub>  |

\* Cable material and length can be customized



| Item Code        | LE40SZ    |               | LE40XZ    |               |
|------------------|-----------|---------------|-----------|---------------|
| Mounting         | ● Flushed | ◐ Non-flushed | ● Flushed | ◐ Non-flushed |
| Sensing distance | 15mm      | 20mm          | 15mm      | 20mm          |



|        |        |                   |                   |                  |                  |
|--------|--------|-------------------|-------------------|------------------|------------------|
| Output | NPN NO | LE40SZSF15DNOA-E2 | LE40SZSN20DNOA-E2 | LE40XZSF15DNOA-D | LE40XZSN20DNOA-D |
|        | NPN NC | LE40SZSF15DNCA-E2 | LE40SZSN20DNCA-E2 | LE40XZSF15DNCA-D | LE40XZSN20DNCA-D |
| Output | PNP NO | LE40SZSF15DPOA-E2 | LE40SZSN20DPOA-E2 | LE40XZSF15DPOA-D | LE40XZSN20DPOA-D |
|        | PNP NC | LE40SZSF15DPCA-E2 | LE40SZSN20DPCA-E2 | LE40XZSF15DPCA-D | LE40XZSN20DPCA-D |

| Technical Parameter      |                   |                   |                   |                   |
|--------------------------|-------------------|-------------------|-------------------|-------------------|
| Supply voltage           | 10...30 VDC       | 10...30 VDC       | 10...30 VDC       | 10...30 VDC       |
| Switch point drift       | < ±10% Sr         | < ±10% Sr         | < ±10% Sr         | < ±10% Sr         |
| Load current             | <200mA            | <200mA            | <200mA            | <200mA            |
| Voltage drop             | <2.5V             | <2.5V             | <2.5V             | <2.5V             |
| Consumption current      | <15mA             | <15mA             | <15mA             | <15mA             |
| Hysteresis               | 1...15%           | 1...15%           | 1...15%           | 1...15%           |
| Repeat accuracy          | <3%               | <3%               | <3%               | <3%               |
| Frequency                | 300Hz             | 200Hz             | 300Hz             | 200Hz             |
| Output indicator         | Yellow LED        | Yellow LED        | Yellow LED        | Yellow LED        |
| Polarity protection      | yes               | yes               | yes               | yes               |
| Surge protection         | yes               | yes               | yes               | yes               |
| Short-circuit protection | yes               | yes               | yes               | yes               |
| Ambient temperature      | -25...+70°C       | -25...+70°C       | -25...+70°C       | -25...+70°C       |
| Ambient moisture         | 35...95%          | 35...95%          | 35...95%          | 35...95%          |
| Protection degree        | IP67              | IP67              | IP67              | IP67              |
| Housing material         | PBT+PTFE Coating  | PBT+PTFE Coating  | PBT+PTFE Coating  | PBT+PTFE Coating  |
| Connection               | M12 Connector     | M12 Connector     | Terminal connect  | Terminal connect  |
| Certification            | CE U <sub>L</sub> | CE U <sub>L</sub> | CE U <sub>L</sub> | CE U <sub>L</sub> |

