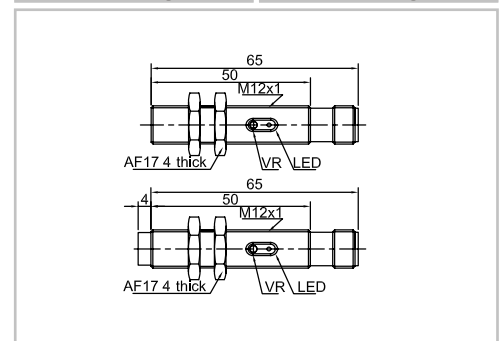
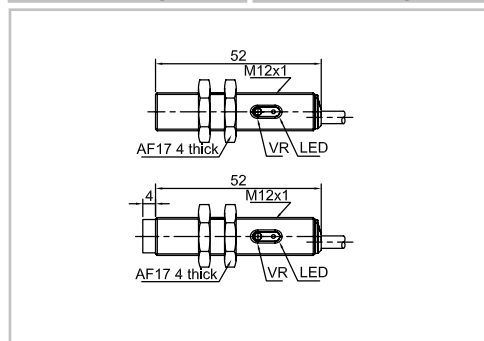
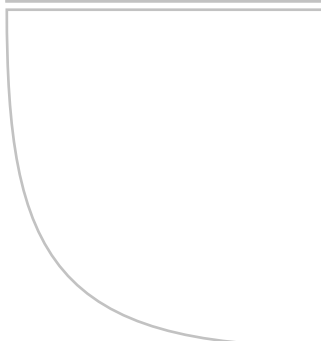


Item Code	CR12S		CR12S	
Mounting	● Flushed	◐ Non-flushed	● Flushed	◐ Non-flushed
Sensing distance	2mm	4mm	2mm	4mm



Output	NPN NO	CR12SCF02DNO	CR12SCN04DNO	CR12SCF02DNO-E2	CR12SCN04DNO-E2
	NPN NC	CR12SCF02DNC	CR12SCN04DNC	CR12SCF02DNC-E2	CR12SCN04DNC-E2
Output	PNP NO	CR12SCF02DPO	CR12SCN04DPO	CR12SCF02DPO-E2	CR12SCN04DPO-E2
	PNP NC	CR12SCF02DPC	CR12SCN04DPC	CR12SCF02DPC-E2	CR12SCN04DPC-E2

Technical Parameter				
Supply voltage	10...30 VDC	10...30 VDC	10...30 VDC	10...30 VDC
Switch point drift	< ±20% Sr	< ±20% Sr	< ±20% Sr	< ±20% Sr
Load current	<200mA	<200mA	<200mA	<200mA
Voltage drop	<2.5V	<2.5V	<2.5V	<2.5V
Consumption current	<15mA	<15mA	<15mA	<15mA
Hysteresis	3...20%	3...20%	3...20%	3...20%
Repeat accuracy	<3%	<3%	<3%	<3%
Frequency	50Hz	50Hz	50Hz	50Hz
Output indicator	Yellow LED	Yellow LED	Yellow LED	Yellow LED
Polarity protection	yes	yes	yes	yes
Surge protection	yes	yes	yes	yes
Short-circuit protection	yes	yes	yes	yes
Ambient temperature	-25...+70°C	-25...+70°C	-25...+70°C	-25...+70°C
Ambient moisture	35...95%	35...95%	35...95%	35...95%
Protection degree	IP67	IP67	IP67	IP67
Housing material	PBT	PBT	PBT	PBT
Connection	2m PVC Cable	2m PVC Cable	M12 Connector	M12 Connector
Certification	CE U _L	CE U _L	CE U _L	CE U _L

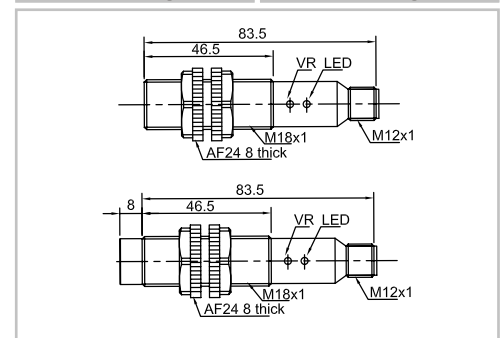
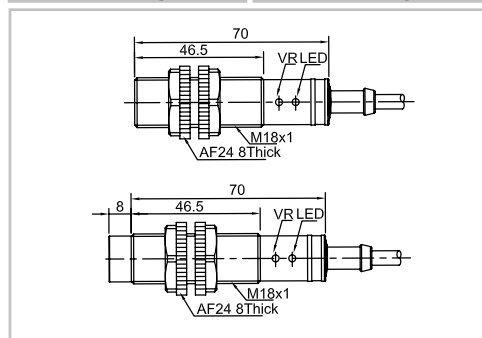
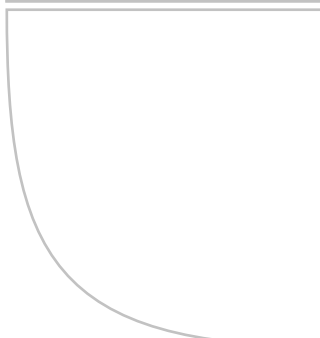


Item Code	CR18S		CR18S	
Mounting	● Flushed	◐ Non-flushed	● Flushed	◐ Non-flushed
Sensing distance	5mm	8mm	5mm	8mm



Output	NPN NO	CR18SCF05DNO	CR18SCN08DNO	CR18SCF05DNO-E2	CR18SCN08DNO-E2
	NPN NC	CR18SCF05DNC	CR18SCN08DNC	CR18SCF05DNC-E2	CR18SCN08DNC-E2
	NPN NO+NC	CR18SCF05DNR	CR18SCN08DNR	CR18SCF05DNR-E2	CR18SCN08DNR-E2
Output	PNP NO	CR18SCF05DPO	CR18SCN08DPO	CR18SCF05DPO-E2	CR18SCN08DPO-E2
	PNP NC	CR18SCF05DPC	CR18SCN08DPC	CR18SCF05DPC-E2	CR18SCN08DPC-E2
	PNP NO+NC	CR18SCF05DPR	CR18SCN08DPR	CR18SCF05DPR-E2	CR18SCN08DPR-E2

Technical Parameter				
Supply voltage	10...30 VDC	10...30 VDC	10...30 VDC	10...30 VDC
Switch point drift	< ±20% Sr	< ±20% Sr	< ±20% Sr	< ±20% Sr
Load current	<200mA	<200mA	<200mA	<200mA
Voltage drop	<2.5V	<2.5V	<2.5V	<2.5V
Consumption current	<15mA	<15mA	<15mA	<15mA
Hysteresis	3...20%	3...20%	3...20%	3...20%
Repeat accuracy	<3%	<3%	<3%	<3%
Frequency	50Hz	50Hz	50Hz	50Hz
Output indicator	Yellow LED	Yellow LED	Yellow LED	Yellow LED
Polarity protection	yes	yes	yes	yes
Surge protection	yes	yes	yes	yes
Short-circuit protection	yes	yes	yes	yes
Ambient temperature	-25...+70°C	-25...+70°C	-25...+70°C	-25...+70°C
Ambient moisture	35...95%	35...95%	35...95%	35...95%
Protection degree	IP67	IP67	IP67	IP67
Housing material	PBT	PBT	PBT	PBT
Connection	2m PVC Cable	2m PVC Cable	M12 Connector	M12 Connector
Certification	CE U _L	CE U _L	CE U _L	CE U _L

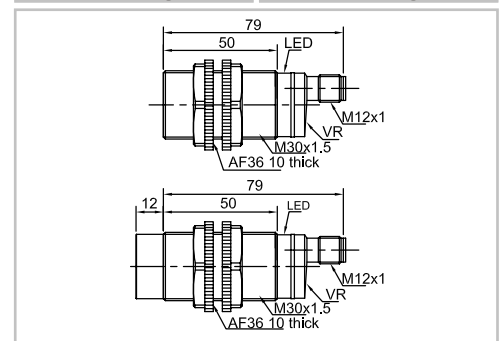
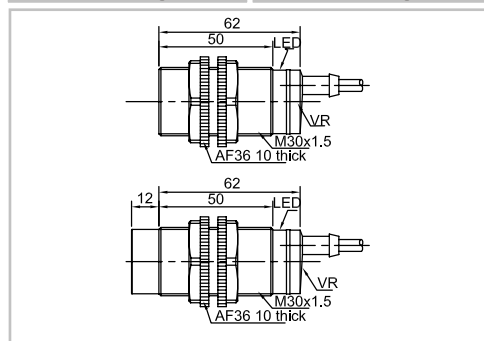
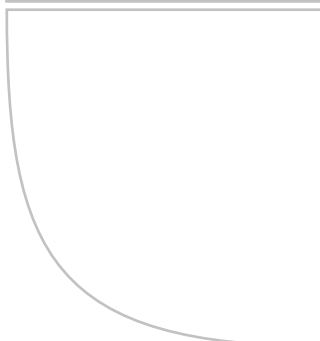


Item Code	CR30S		CR30S	
Mounting	● Flushed	◐ Non-flushed	● Flushed	◐ Non-flushed
Sensing distance	10mm	15mm	10mm	15mm



Output	NPN NO	CR30SCF10DNO	CR30SCN15DNO	CR30SCF10DNO-E2	CR30SCN15DNO-E2
	NPN NC	CR30SCF10DNC	CR30SCN15DNC	CR30SCF10DNC-E2	CR30SCN15DNC-E2
	NPN NO+NC	CR30SCF10DNR	CR30SCN15DNR	CR30SCF10DNR-E2	CR30SCN15DNR-E2
Output	PNP NO	CR30SCF10DPO	CR30SCN15DPO	CR30SCF10DPO-E2	CR30SCN15DPO-E2
	PNP NC	CR30SCF10DPC	CR30SCN15DPC	CR30SCF10DPC-E2	CR30SCN15DPC-E2
	PNP NO+NC	CR30SCF10DPR	CR30SCN15DPR	CR30SCF10DPR-E2	CR30SCN15DPR-E2

Technical Parameter				
Supply voltage	10...30 VDC	10...30 VDC	10...30 VDC	10...30 VDC
Switch point drift	< ±20% Sr	< ±20% Sr	< ±20% Sr	< ±20% Sr
Load current	<200mA	<200mA	<200mA	<200mA
Voltage drop	<2.5V	<2.5V	<2.5V	<2.5V
Consumption current	<15mA	<15mA	<15mA	<15mA
Hysteresis	3...20%	3...20%	3...20%	3...20%
Repeat accuracy	<3%	<3%	<3%	<3%
Frequency	50Hz	50Hz	50Hz	50Hz
Output indicator	Yellow LED	Yellow LED	Yellow LED	Yellow LED
Polarity protection	yes	yes	yes	yes
Surge protection	yes	yes	yes	yes
Short-circuit protection	yes	yes	yes	yes
Ambient temperature	-25...+70°C	-25...+70°C	-25...+70°C	-25...+70°C
Ambient moisture	35...95%	35...95%	35...95%	35...95%
Protection degree	IP67	IP67	IP67	IP67
Housing material	PBT	PBT	PBT	PBT
Connection	2m PVC Cable	2m PVC Cable	M12 Connector	M12 Connector
Certification	CE U _L	CE U _L	CE U _L	CE U _L

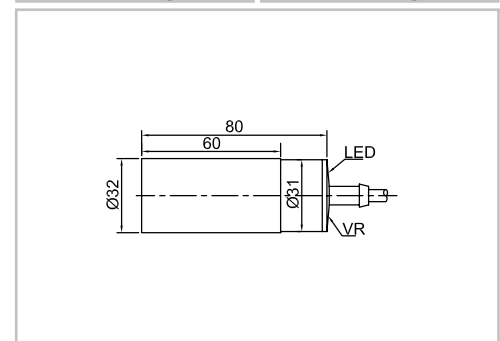
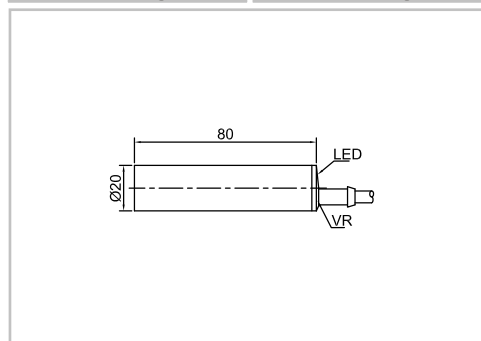
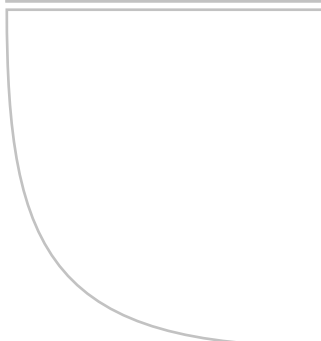


Item Code	CQ20S		CQ32S	
Mounting	● Flushed	◐ Non-flushed	● Flushed	◐ Non-flushed
Sensing distance	10mm	15mm	15mm	20mm



Output	NPN NO	CQ20SCF10DNO	CQ20SCN15DNO	CQ32SCF15DNO	CQ32SCN20DNO
	NPN NC	CQ20SCF10DNC	CQ20SCN15DNC	CQ32SCF15DNC	CQ32SCN20DNC
	NPN NO+NC	CQ20SCF10DNR	CQ20SCN15DNR	CQ32SCF15DNR	CQ32SCN20DNR
Output	PNP NO	CQ20SCF10DPO	CQ20SCN15DPO	CQ32SCF15DPO	CQ32SCN20DPO
	PNP NC	CQ20SCF10DPC	CQ20SCN15DPC	CQ32SCF15DPC	CQ32SCN20DPC
	PNP NO+NC	CQ20SCF10DPR	CQ20SCN15DPR	CQ32SCF15DPR	CQ32SCN20DPR

Technical Parameter				
Supply voltage	10...30 VDC	10...30 VDC	10...30 VDC	10...30 VDC
Switch point drift	< ±20% Sr	< ±20% Sr	< ±20% Sr	< ±20% Sr
Load current	<200mA	<200mA	<200mA	<200mA
Voltage drop	<2.5V	<2.5V	<2.5V	<2.5V
Consumption current	<15mA	<15mA	<15mA	<15mA
Hysteresis	3...20%	3...20%	3...20%	3...20%
Repeat accuracy	<3%	<3%	<3%	<3%
Frequency	50Hz	50Hz	50Hz	50Hz
Output indicator	Yellow LED	Yellow LED	Yellow LED	Yellow LED
Polarity protection	yes	yes	yes	yes
Surge protection	yes	yes	yes	yes
Short-circuit protection	yes	yes	yes	yes
Ambient temperature	-25...+70°C	-25...+70°C	-25...+70°C	-25...+70°C
Ambient moisture	35...95%	35...95%	35...95%	35...95%
Protection degree	IP67	IP67	IP67	IP67
Housing material	PBT	PBT	PBT	PBT
Connection	2m PVC Cable	2m PVC Cable	2m PVC Cable	2m PVC Cable
Certification	CE U _L	CE U _L	CE U _L	CE U _L

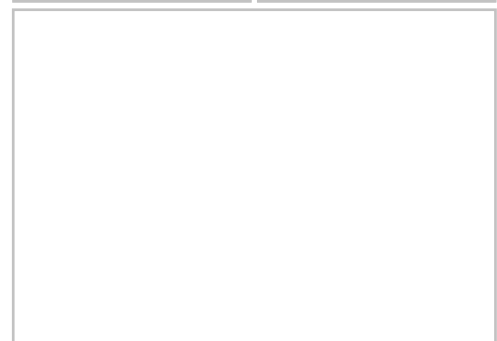
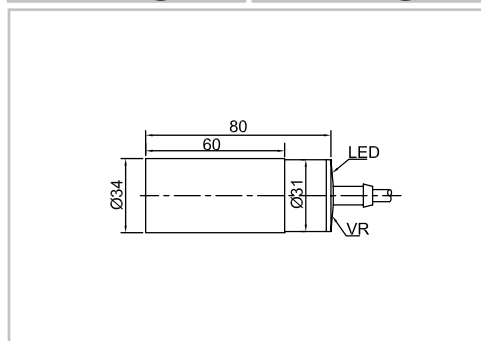
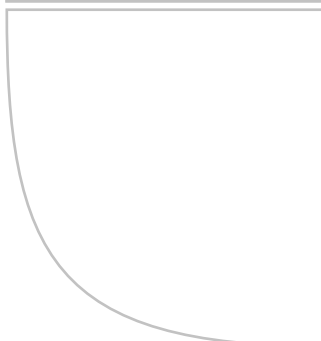


Item Code	CQ34S			
Mounting	● Flushed	◐ Non-flushed		
Sensing distance	15mm	20mm		



Output	NPN NO	CQ34SCF15DNO	CQ34SCN20DNO		
	NPN NC	CQ34SCF15DNC	CQ34SCN20DNC		
	NPN NO+NC	CQ34SCF15DNR	CQ34SCN20DNR		
Output	PNP NO	CQ34SCF15DPO	CQ34SCN20DPO		
	PNP NC	CQ34SCF15DPC	CQ34SCN20DPC		
	PNP NO+NC	CQ34SCF15DPR	CQ34SCN20DPR		

Technical Parameter				
Supply voltage	10...30 VDC	10...30 VDC		
Switch point drift	< ±20% Sr	< ±20% Sr		
Load current	<200mA	<200mA		
Voltage drop	<2.5V	<2.5V		
Consumption current	<15mA	<15mA		
Hysteresis	3...20%	3...20%		
Repeat accuracy	<3%	<3%		
Frequency	50Hz	50Hz		
Output indicator	Yellow LED	Yellow LED		
Polarity protection	yes	yes		
Surge protection	yes	yes		
Short-circuit protection	yes	yes		
Ambient temperature	-25...+70°C	-25...+70°C		
Ambient moisture	35...95%	35...95%		
Protection degree	IP67	IP67		
Housing material	PBT	PBT		
Connection	2m PVC Cable	2m PVC Cable		
Certification	CE	CCC	CE	CCC



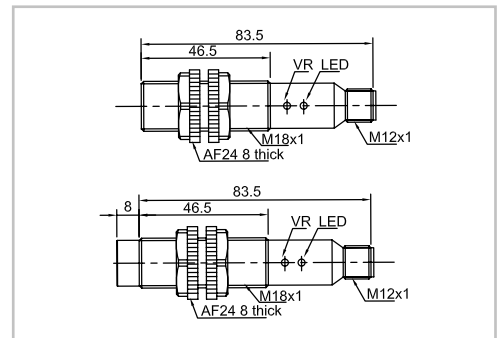
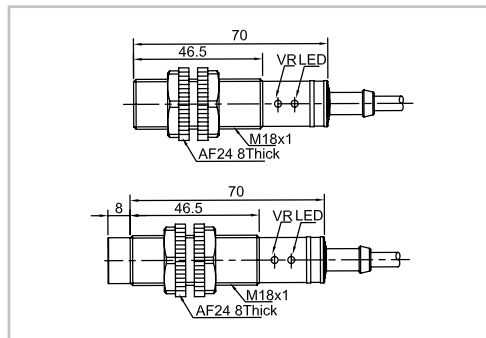
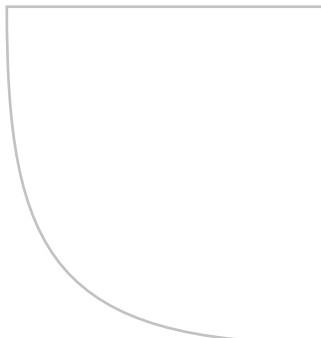
Item Code	CR18S		CR18S	
Mounting	● Flushed	◐ Non-flushed	● Flushed	◐ Non-flushed
Sensing distance	5mm	8mm	5mm	8mm



Output	AC 2 Wires NO	CR18SCF05ATO	CR18SCN08ATO	CR18SCF05ATO-E2	CR18SCN08ATO-E2
	AC 2 Wires NC	CR18SCF05ATC	CR18SCN08ATC	CR18SCF05ATC-E2	CR18SCN08ATC-E2

Technical Parameter

Supply voltage	20...250 VAC	20...250 VAC	20...250 VAC	20...250 VAC
Switch point drift	< ±20% Sr	< ±20% Sr	< ±20% Sr	< ±20% Sr
Load current	<300mA	<300mA	<300mA	<300mA
Voltage drop	<10V	<10V	<10V	<10V
Leakage current	<3mA	<3mA	<3mA	<3mA
Hysteresis	3...20%	3...20%	3...20%	3...20%
Repeat accuracy	<3%	<3%	<3%	<3%
Frequency	15Hz	15Hz	15Hz	15Hz
Output indicator	Yellow LED	Yellow LED	Yellow LED	Yellow LED
Polarity protection
Surge protection	yes	yes	yes	yes
Short-circuit protection
Ambient temperature	-25...+70°C	-25...+70°C	-25...+70°C	-25...+70°C
Ambient moisture	35...95%	35...95%	35...95%	35...95%
Protection degree	IP67	IP67	IP67	IP67
Housing material	PBT	PBT	PBT	PBT
Connection	2m PVC Cable	2m PVC Cable	M12 Connector	M12 Connector
Certification	CE U _L CCC	CE U _L CCC	CE U _L CCC	CE U _L CCC

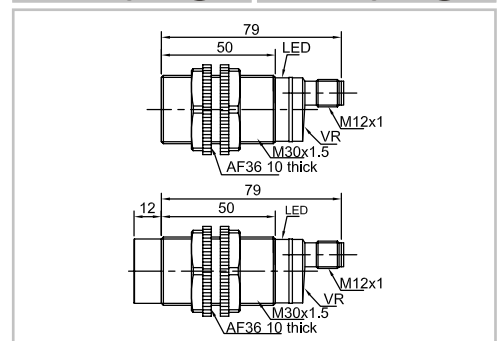
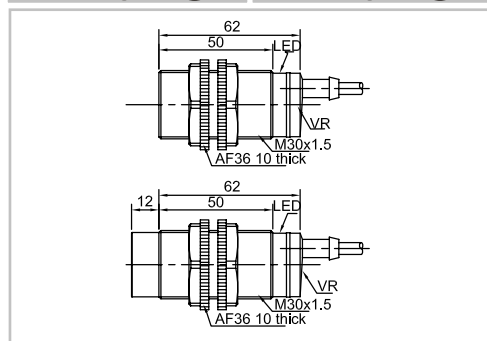
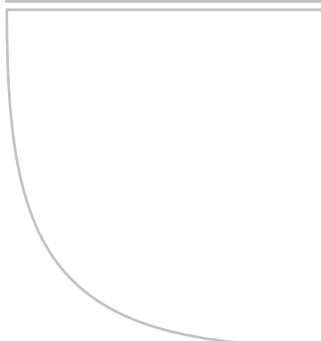


Item Code	CR30S		CR30S	
Mounting	● Flushed	◐ Non-flushed	● Flushed	◐ Non-flushed
Sensing distance	10mm	15mm	10mm	15mm



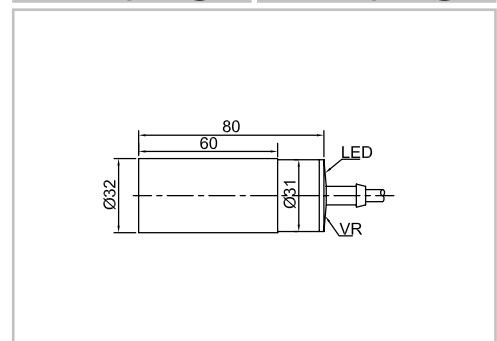
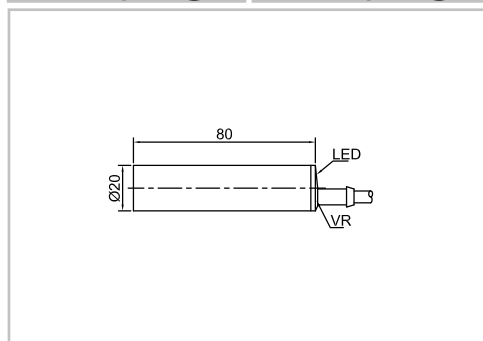
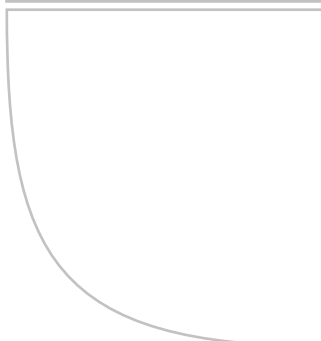
Output	AC 2 Wires NO	CR30SCF10ATO	CR30SCN15ATO	CR30SCF10ATO-E2	CR30SCN15ATO-E2
	AC 2 Wires NC	CR30SCF10ATC	CR30SCN15ATC	CR30SCF10ATC-E2	CR30SCN15ATC-E2

Technical Parameter				
Supply voltage	20...250 VAC	20...250 VAC	20...250 VAC	20...250 VAC
Switch point drift	< ±20% Sr	< ±20% Sr	< ±20% Sr	< ±20% Sr
Load current	<300mA	<300mA	<300mA	<300mA
Voltage drop	<10V	<10V	<10V	<10V
Leakage current	<3mA	<3mA	<3mA	<3mA
Hysteresis	3...20%	3...20%	3...20%	3...20%
Repeat accuracy	<3%	<3%	<3%	<3%
Frequency	15Hz	15Hz	15Hz	15Hz
Output indicator	Yellow LED	Yellow LED	Yellow LED	Yellow LED
Polarity protection
Surge protection	yes	yes	yes	yes
Short-circuit protection
Ambient temperature	-25...+70°C	-25...+70°C	-25...+70°C	-25...+70°C
Ambient moisture	35...95%	35...95%	35...95%	35...95%
Protection degree	IP67	IP67	IP67	IP67
Housing material	PBT	PBT	PBT	PBT
Connection	2m PVC Cable	2m PVC Cable	M12 Connector	M12 Connector
Certification	CE U _L CCC	CE U _L CCC	CE U _L CCC	CE U _L CCC



Item Code		CQ20S		CQ32S	
Mounting		● Flushed	◐ Non-flushed	● Flushed	◐ Non-flushed
Sensing distance		10mm	15mm	15mm	20mm
					
Output	AC 2 Wires NO	CQ20SCF10ATO	CQ20SCN15ATO	CQ32SCF15ATO	CQ32SCN20ATO
	AC 2 Wires NC	CQ20SCF10ATC	CQ20SCN15ATC	CQ32SCF15ATC	CQ32SCN20ATC

Technical Parameter					
Supply voltage		20...250 VAC	20...250 VAC	20...250 VAC	20...250 VAC
Switch point drift		< ±20% Sr	< ±20% Sr	< ±20% Sr	< ±20% Sr
Load current		<300mA	<300mA	<300mA	<300mA
Voltage drop		<10V	<10V	<10V	<10V
Leakage current		<3mA	<3mA	<3mA	<3mA
Hysteresis		3...20%	3...20%	3...20%	3...20%
Repeat accuracy		<3%	<3%	<3%	<3%
Frequency		15Hz	15Hz	15Hz	15Hz
Output indicator		Yellow LED	Yellow LED	Yellow LED	Yellow LED
Polarity protection	
Surge protection		yes	yes	yes	yes
Short-circuit protection	
Ambient temperature		-25...+70°C	-25...+70°C	-25...+70°C	-25...+70°C
Ambient moisture		35...95%	35...95%	35...95%	35...95%
Protection degree		IP67	IP67	IP67	IP67
Housing material		PBT	PBT	PBT	PBT
Connection		2m PVC Cable	2m PVC Cable	2m PVC Cable	2m PVC Cable
Certification		CE U _L CCC	CE U _L CCC	CE U _L CCC	CE U _L CCC



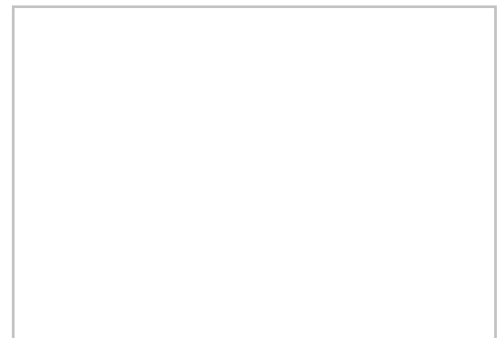
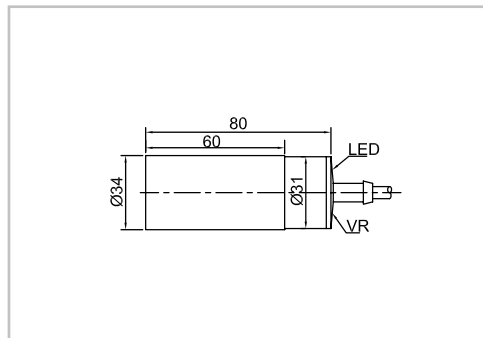
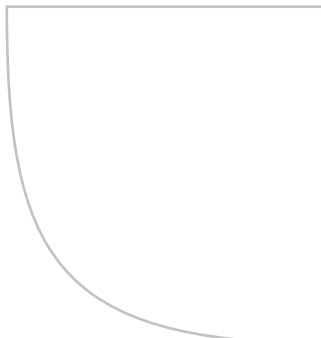
Item Code	CQ34S	
Mounting	● Flushed	◐ Non-flushed
Sensing distance	15mm	20mm



Output	AC 2 Wires NO	CQ34SCF15ATO	CQ34SCN20ATO
	AC 2 Wires NC	CQ34SCF15ATC	CQ34SCN20ATC

Technical Parameter

Supply voltage	20...250 VAC	20...250 VAC
Switch point drift	< ±20% Sr	< ±20% Sr
Load current	<300mA	<300mA
Voltage drop	<10V	<10V
Leakage current	<3mA	<3mA
Hysteresis	3...20%	3...20%
Repeat accuracy	<3%	<3%
Frequency	15Hz	15Hz
Output indicator	Yellow LED	Yellow LED
Polarity protection
Surge protection	yes	yes
Short-circuit protection
Ambient temperature	-25...+70°C	-25...+70°C
Ambient moisture	35...95%	35...95%
Protection degree	IP67	IP67
Housing material	PBT	PBT
Connection	2m PVC Cable	2m PVC Cable
Certification	CE (CCC)	CE (CCC)



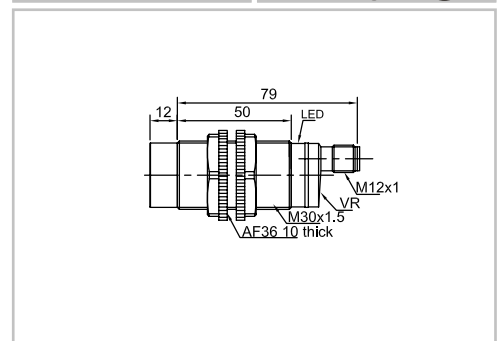
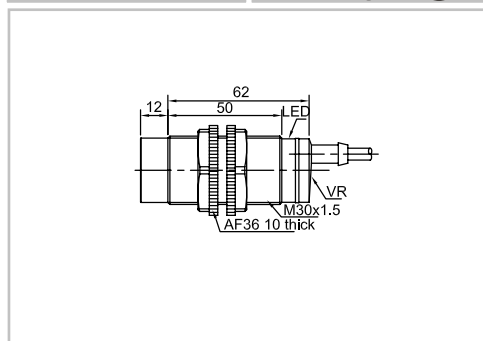
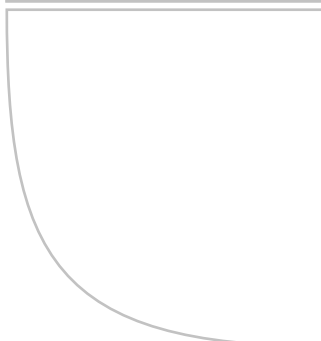
Item Code	CR30S	CR30S
Mounting	● Non-flushed	● Non-flushed
Sensing distance	15mm	15mm



Output	AC 2 Wires NO	CR30SCN15SBO	CR30SCN15SBO-E2
	AC 2 Wires NC	CR30SCN15SBC	CR30SCN15SBC-E2

Technical Parameter

	20...250 VAC/DC	20...250 VAC/DC
Supply voltage	20...250 VAC/DC	20...250 VAC/DC
Switch point drift	< ±20% Sr	< ±20% Sr
Load current	AC: <300mA, DC: <100mA	AC: <300mA, DC: <100mA
Voltage drop	AC: <10V, DC: <8V	AC: <10V, DC: <8V
Leakage current	AC: <3mA, DC: <1mA	AC: <3mA, DC: <1mA
Hysteresis	3...20%	3...20%
Repeat accuracy	<3%	<3%
Frequency	AC: 15Hz, DC: 40Hz	AC: 15Hz, DC: 40Hz
Output indicator	Yellow LED	Yellow LED
Polarity protection
Surge protection	yes	yes
Short-circuit protection
Ambient temperature	-25...+70°C	-25...+70°C
Ambient moisture	35...95%	35...95%
Protection degree	IP67	IP67
Housing material	PBT	PBT
Connection	2m PVC Cable	M12 Connector
Certification	CE U _L CCC	CE U _L CCC



Item Code	CQ32S	CQ34S
Mounting	● Non-flushed	● Non-flushed
Sensing distance	20mm	20mm



Output	AC 2 Wires NO	CQ32SCN20SBO	CQ34SCN20SBO
	AC 2 Wires NC	CQ32SCN20SBC	CQ34SCN20SBC

Technical Parameter

	CQ32S	CQ34S
Supply voltage	20...250 VAC/DC	20...250 VAC/DC
Switch point drift	< ±20% Sr	< ±20% Sr
Load current	AC: <300mA, DC: <100mA	AC: <300mA, DC: <100mA
Voltage drop	AC: <10V, DC: <8V	AC: <10V, DC: <8V
Leakage current	AC: <3mA, DC: <1mA	AC: <3mA, DC: <1mA
Hysteresis	3...20%	3...20%
Repeat accuracy	<3%	<3%
Frequency	AC: 15Hz, DC: 40Hz	AC: 15Hz, DC: 40Hz
Output indicator	Yellow LED	Yellow LED
Polarity protection
Surge protection	yes	yes
Short-circuit protection
Ambient temperature	-25...+70°C	-25...+70°C
Ambient moisture	35...95%	35...95%
Protection degree	IP67	IP67
Housing material	PBT	PBT
Connection	2m PVC Cable	2m PVC Cable
Certification	CE U _I CCC	CE CCC

