

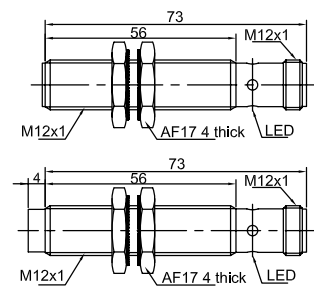
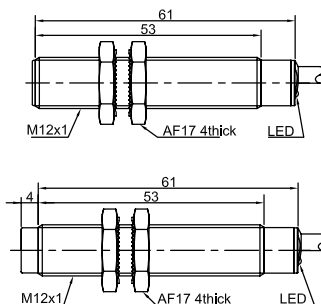
Item Code	LR12X		LR12X	
Mounting	● Flushed	◐ Non-flushed	● Flushed	◐ Non-flushed
Sensing distance	2mm	4mm	2mm	4mm



Output	NPN NO	LR12XCF02DNOG	LR12XCN04DNOG	LR12XCF02DNOG-E2	LR12XCN04DNOG-E2
	NPN NC	LR12XCF02DNCG	LR12XCN04DNCG	LR12XCF02DNCG-E2	LR12XCN04DNCG-E2
Output	PNP NO	LR12XCF02DPOG	LR12XCN04DPOG	LR12XCF02DPOG-E2	LR12XCN04DPOG-E2
	PNP NC	LR12XCF02DPCG	LR12XCN04DPCG	LR12XCF02DPCG-E2	LR12XCN04DPCG-E2

Technical Parameter				
Supply voltage	10...30 VDC	10...30 VDC	10...30 VDC	10...30 VDC
Switch point drift	< ±10% Sr	< ±10% Sr	< ±10% Sr	< ±10% Sr
Load current	<200mA	<200mA	<200mA	<200mA
Voltage drop	<2.5V	<2.5V	<2.5V	<2.5V
Consumption current	<10mA	<10mA	<10mA	<10mA
Hysteresis	1...20%	1...20%	1...20%	1...20%
Repeat accuracy	<3%	<3%	<3%	<3%
Frequency	4000Hz	3000Hz	4000Hz	3000Hz
Output indicator	Yellow LED	Yellow LED	Yellow LED	Yellow LED
Polarity protection	yes	yes	yes	yes
Surge protection	yes	yes	yes	yes
Short-circuit protection	yes	yes	yes	yes
Ambient temperature	-25...+70°C	-25...+70°C	-25...+70°C	-25...+70°C
Ambient moisture	35...95%	35...95%	35...95%	35...95%
Protection degree	IP67	IP67	IP67	IP67
Housing material	Nickel-copper Alloy	Nickel-copper Alloy	Nickel-copper Alloy	Nickel-copper Alloy
Connection	2m PVC Cable	2m PVC Cable	M12 Connector	M12 Connector
Certification	CE U <sub>L</sub>	CE U <sub>L</sub>	CE U <sub>L</sub>	CE U <sub>L</sub>

\* Cable material and length can be customized



Item Code	LR18X		LR18X	
Mounting	● Flushed	◐ Non-flushed	● Flushed	◐ Non-flushed
Sensing distance	5mm	8mm	5mm	8mm



Output	NPN NO	LR18XCF05DNOG	LR18XCN08DNOG	LR18XCF05DNOG-E2	LR18XCN08DNOG-E2
	NPN NC	LR18XCF05DNCG	LR18XCN08DNCG	LR18XCF05DNCG-E2	LR18XCN08DNCG-E2
Output	PNP NO	LR18XCF05DPOG	LR18XCN08DPOG	LR18XCF05DPOG-E2	LR18XCN08DPOG-E2
	PNP NC	LR18XCF05DPCG	LR18XCN08DPCG	LR18XCF05DPCG-E2	LR18XCN08DPCG-E2

Technical Parameter				
Supply voltage	10...30 VDC	10...30 VDC	10...30 VDC	10...30 VDC
Switch point drift	< ±10% Sr	< ±10% Sr	< ±10% Sr	< ±10% Sr
Load current	<200mA	<200mA	<200mA	<200mA
Voltage drop	<2.5V	<2.5V	<2.5V	<2.5V
Consumption current	<10mA	<10mA	<10mA	<10mA
Hysteresis	1...20%	1...20%	1...20%	1...20%
Repeat accuracy	<3%	<3%	<3%	<3%
Frequency	2000Hz	1500Hz	2000Hz	1500Hz
Output indicator	Yellow LED	Yellow LED	Yellow LED	Yellow LED
Polarity protection	yes	yes	yes	yes
Surge protection	yes	yes	yes	yes
Short-circuit protection	yes	yes	yes	yes
Ambient temperature	-25...+70°C	-25...+70°C	-25...+70°C	-25...+70°C
Ambient moisture	35...95%	35...95%	35...95%	35...95%
Protection degree	IP67	IP67	IP67	IP67
Housing material	Nickel-copper Alloy	Nickel-copper Alloy	Nickel-copper Alloy	Nickel-copper Alloy
Connection	2m PVC Cable	2m PVC Cable	M12 Connector	M12 Connector
Certification	CE U <sub>L</sub>	CE U <sub>L</sub>	CE U <sub>L</sub>	CE U <sub>L</sub>

\* Cable material and length can be customized

